



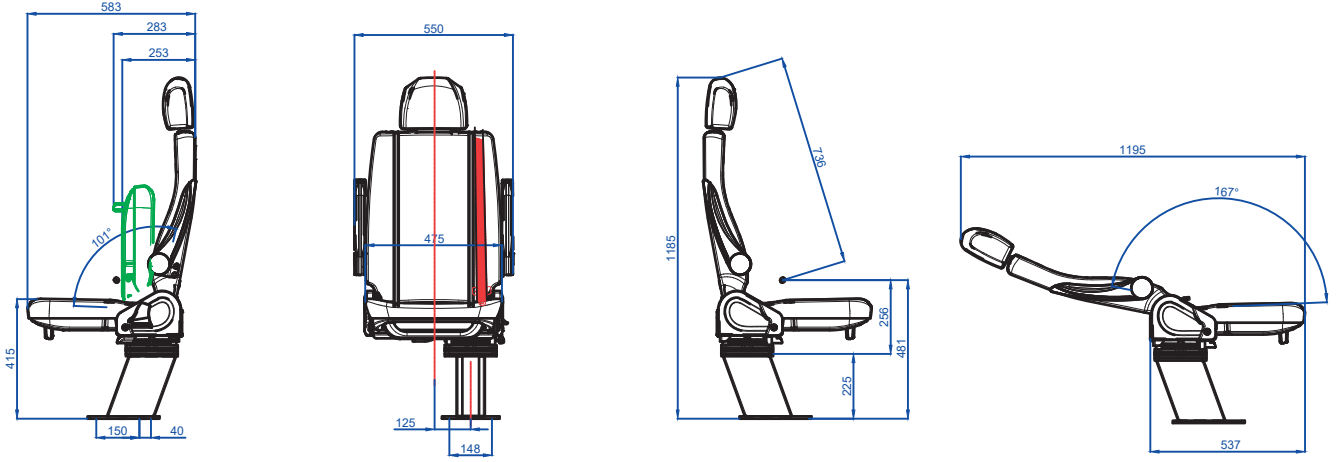
PASSENGER
P6000
M1



WE
MANUFACTURE
COMFORT
&
SAFETY



TECHNICAL DRAWING



ÖZELLİKLER	OPTIONS	CARACTERÍSTICAS	DIE OPTION
Yatar Arkalık 167°	Reclining Backrest 167°	Respaldo reclinable 167°	Rückenverstellung 167°
Döner Mekanizma 360°	Swivel Mechanism 360°	Mecanismo Giratorio 360°	Schwenkmechanismus 360°
3N Kemer	3P Seat Belt	3P Cinturón	3P Sicherheitgurt
Katlanır Kolçak	Foldable Armrest	Apoyabrazos Abatible	Klappbar Armlehnen
Isofix	Isofix	Isofix	Isofix



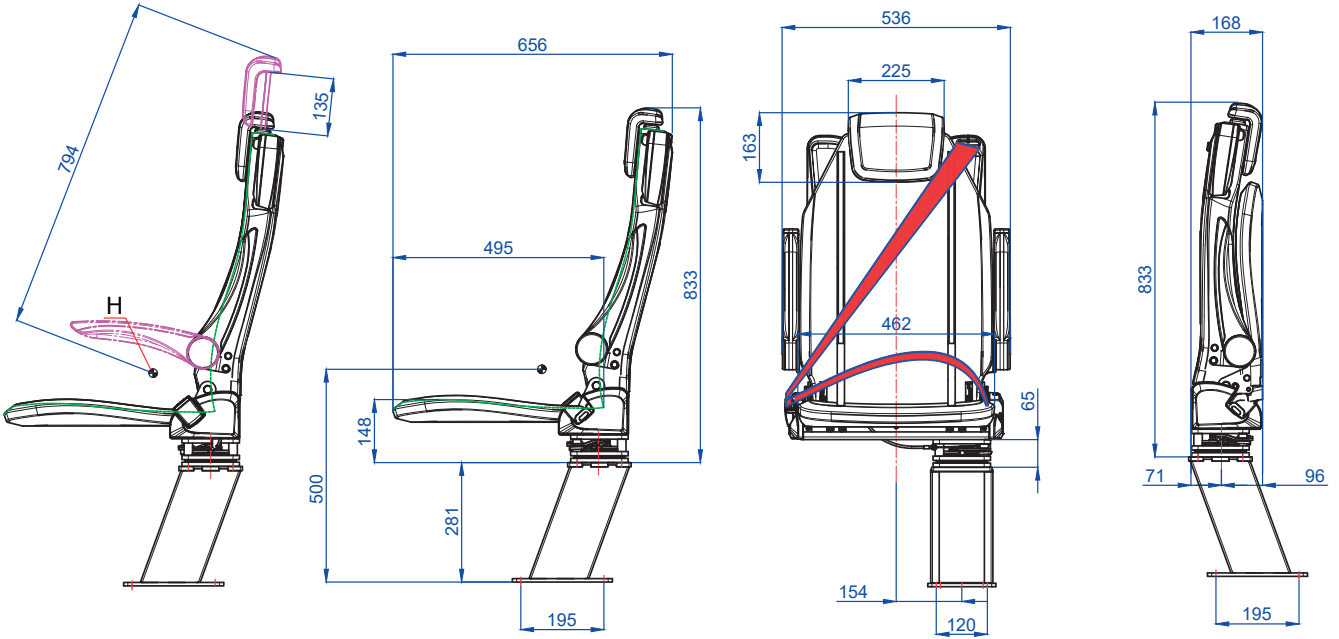
PASSENGER
P7000
M1



WE
MANUFACTURE **COMFORT**
&
SAFETY



TECHNICAL DRAWING



M1 SEATS
M1 KOLTUKLARI

ÖZELLİKLER	OPTIONS	CARACTERÍSTICAS	DIE OPTION
Döner Mekanizma 360°	Swivel Mechanism 360°	Mecanismo Giratorio 360°	Schwenkmechanismus 360°
3N Kemer	3P Seat Belt	3P Cinturón	3P Sicherheitgurt
Katlanır Kolçak	Foldable Armrest	Apoyabrazos Abatible	Klappbar Armlehnen
Isofix	Isofix	Isofix	Isofix